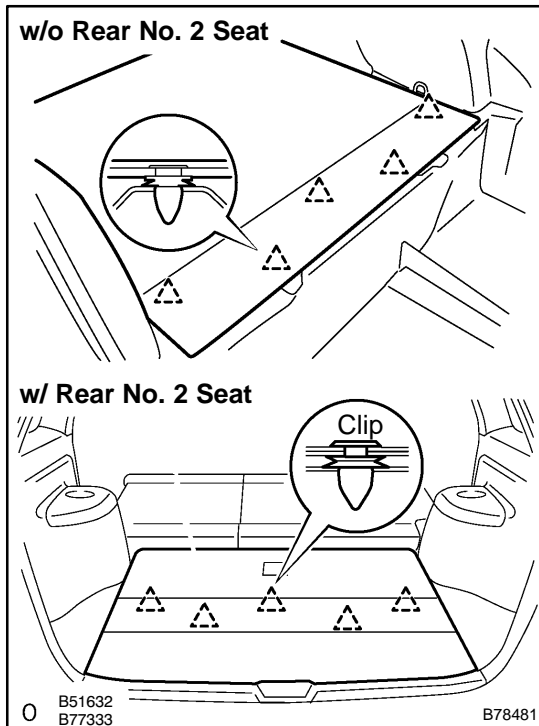


## REPLACEMENT

### HINT:

- The installation procedures are the removal procedures in reverse order. However, only installation procedures requiring additional information are included.
- A bolt without a torque specification is shown in the standard bolt chart (see page 03-2).

### 1. REMOVE TONNEAU COVER ASSY



### 2. REMOVE DECK BOARD SUB-ASSY

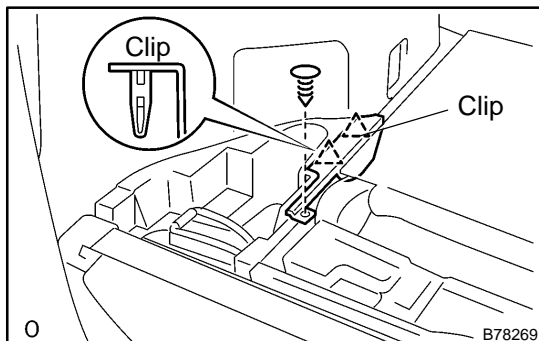
- (a) Using a screwdriver, disengage the 5 clips, 2 bolts and deck board.

### HINT:

Tape the screwdriver tip before use.

### 3. REMOVE DECK BOARD SUB-ASSY NO.2

### 4. REMOVE DECK BOARD SUB-ASSY NO.3



### 5. REMOVE REAR SEAT RECLINING COVER NO.2 RH (w/ REAR NO. 2 SEAT)

- (a) Using a screwdriver, disengage the 2 clips and remove the bolt and cover.

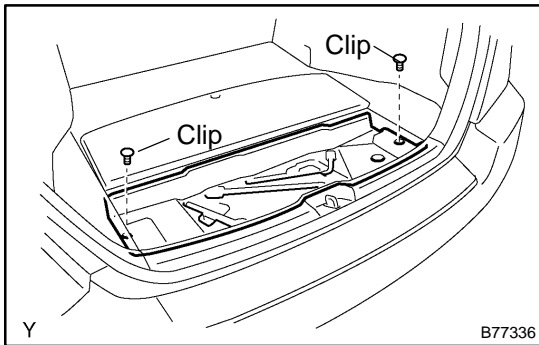
### HINT:

Tape the screwdriver tip before use.

### 6. REMOVE REAR SEAT RECLINING COVER NO.2 LH (w/ REAR NO. 2 SEAT)

### HINT:

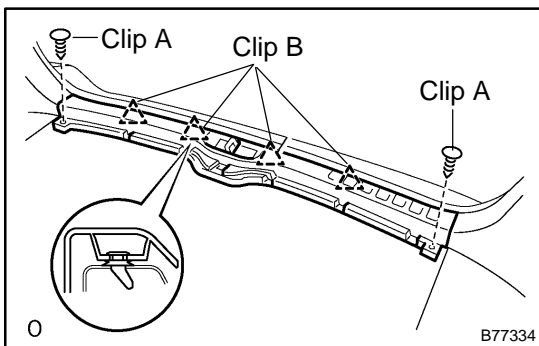
Use the same procedures described for the LH side.

**7. REMOVE DECK FLOOR BOX REAR**

(a) Using a screwdriver, remove the 2 clips and box rear.

HINT:

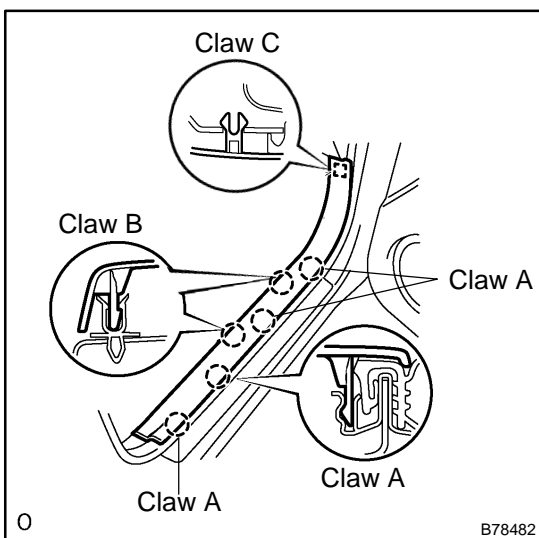
Tape the screwdriver tip before use.

**8. REMOVE DECK FLOOR BOX FRONT (w/o REAR NO. 2 SEAT)****9. REMOVE REAR FLOOR FINISH PLATE**

(a) Using a screwdriver, remove the 2 clips labeled A, 4 clips labeled B and finish plate.

HINT:

Tape the screwdriver tip before use.

**10. REMOVE DECK SIDE TRIM BOX LH****11. REMOVE DECK SIDE TRIM BOX RH****12. REMOVE REAR NO.1 SEAT ASSY LH (See page 72-28 , 72-44 )****13. REMOVE REAR NO.1 SEAT ASSY RH (See page 72-35 , 72-54 )****14. REMOVE REAR NO.2 SEAT ASSEMBLY (w/ REAR NO. 2 SEAT) (See page 72-61 )****15. REMOVE FRONT DOOR SCUFF PLATE LH**

(a) Using a screwdriver, disengage the 4 claws labeled A, 2 claws labeled B, claw labeled C and remove the scuff plate.

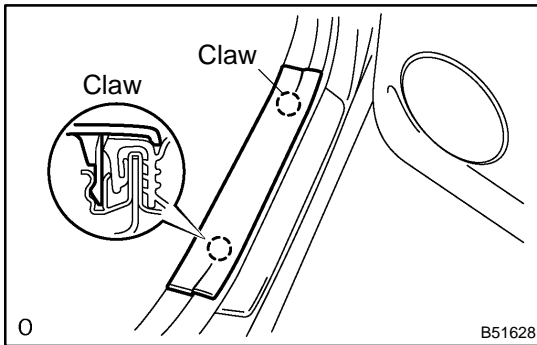
HINT:

Tape the screwdriver tip before use.

**16. REMOVE FRONT DOOR SCUFF PLATE RH**

HINT:

Use the same procedures described for the LH side.

**17. REMOVE REAR DOOR SCUFF PLATE LH**

- (a) Using a screwdriver, disengage the 2 claws and remove the scuff plate.

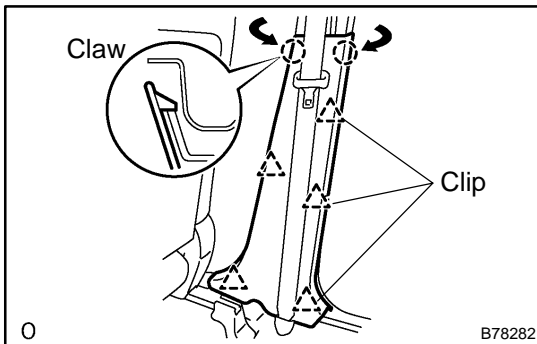
HINT:

Tape the screwdriver tip before use.

**18. REMOVE REAR DOOR SCUFF PLATE RH**

HINT:

Use the same procedures described for the LH side.

**19. REMOVE FRONT DOOR OPENING TRIM WEATHERSTRIP LH****20. REMOVE FRONT DOOR OPENING TRIM WEATHERSTRIP RH****21. REMOVE REAR DOOR OPENING TRIM WEATHERSTRIP LH****22. REMOVE REAR DOOR OPENING TRIM WEATHERSTRIP RH****23. REMOVE BACK DOOR WEATHERSTRIP****24. REMOVE CENTER PILLAR GARNISH LOWER LH**

- (a) Using a screwdriver, disengage the 2 claws and remove the 5 clips and garnish.

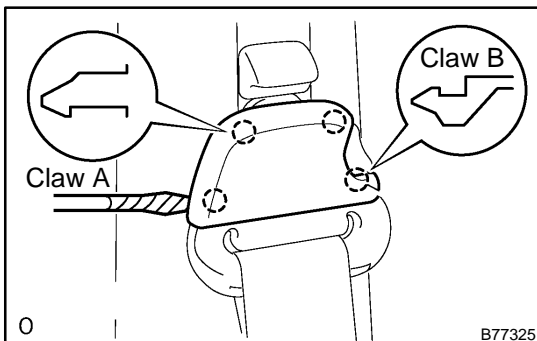
HINT:

Tape the screwdriver tip before use.

**25. REMOVE CENTER PILLAR GARNISH LOWER RH**

HINT:

Use the same procedures described for the LH side.

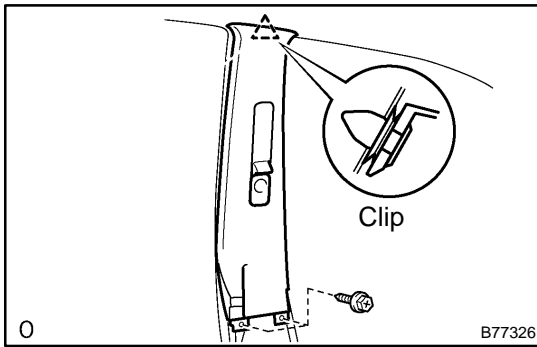
**26. REMOVE CENTER PILLAR GARNISH LH**

- (a) Using a screwdriver, disengage the 2 claws labeled A and 2 claws labeled B, Remove the cover.

HINT:

Tape the screwdriver tip before use.

- (b) Remove the shoulder anchor bolt.



- (c) Remove the 2 screws.
- (d) Using a screwdriver, disengage the clip and remove the garnish.

HINT:

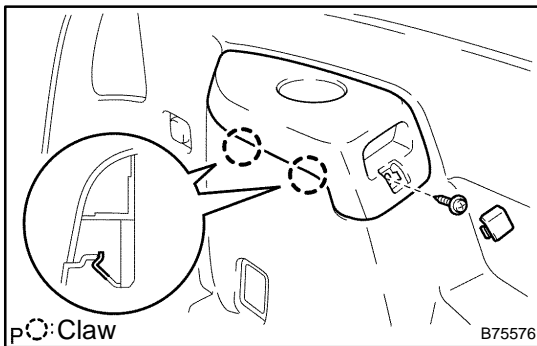
Tape the screwdriver tip before use.

### 27. REMOVE CENTER PILLAR GARNISH RH

HINT:

Use the same procedures described for the LH side.

### 28. REMOVE ROPE HOOK



### 29. REMOVE DECK SIDE TRIM COVER LH

- (a) Using a screwdriver, remove the cover and screw.

HINT:

Tape the screwdriver tip before use.

- (b) Using a screwdriver, disengage the 2 claws and remove the trim box.

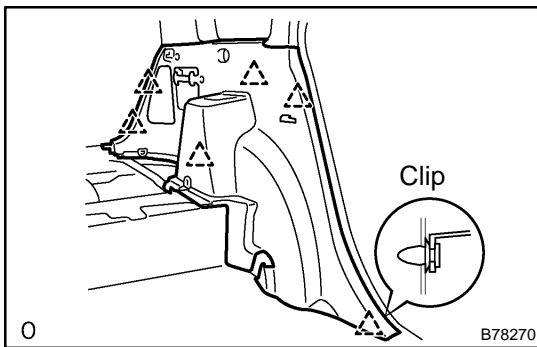
HINT:

Tape the screwdriver tip before use.

### 30. REMOVE DECK SIDE TRIM COVER RH

HINT:

Use the same procedures described for the LH side.



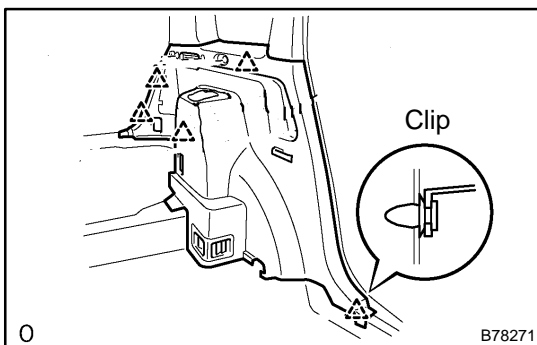
### 31. REMOVE DECK TRIM SIDE PANEL ASSY LH

- (a) w/o Rear No. 2 seat:

- (1) Remove the 5 bolts and rear seat outer belt floor anchor bolt.
- (2) Using a clip remover, remove the 6 clips and side panel.

- (b) w/ Rear No. 2 seat:

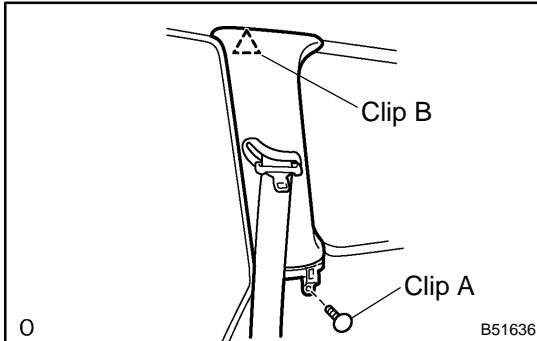
- (1) Remove the 5 bolts and rear seat outer belt floor anchor bolt.
- (2) Using a clip remover, remove the 6 clips and side panel.



**32. REMOVE DECK TRIM SIDE PANEL ASSY RH**

HINT:

Use the same procedures described for the LH side.

**33. REMOVE QUARTER PILLAR GARNISH LH**

- (a) Using a screwdriver, remove the clip labeled A and clip labeled B and garnish.

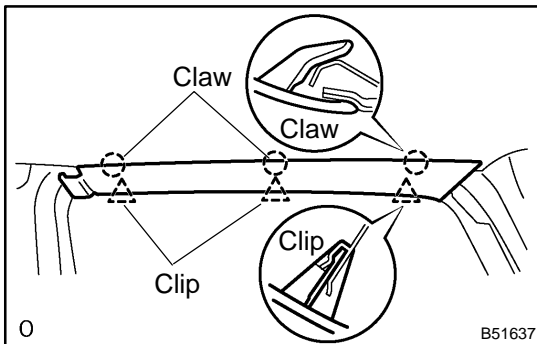
HINT:

Tape the screwdriver tip before use.

**34. REMOVE QUARTER PILLAR GARNISH RH**

HINT:

Use the same procedures described for the LH side.

**35. REMOVE ROOF SIDE RAIL GARNISH SUB-ASSY LH**

- (a) Using a screwdriver, disengage the 3 clips and remove the 3 claws and rail garnish.

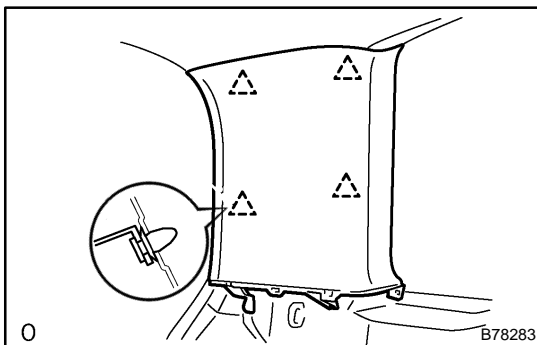
HINT:

Tape the screwdriver tip before use.

**36. REMOVE ROOF SIDE RAIL GARNISH SUB-ASSY RH**

HINT:

Use the same procedures described for the LH side.

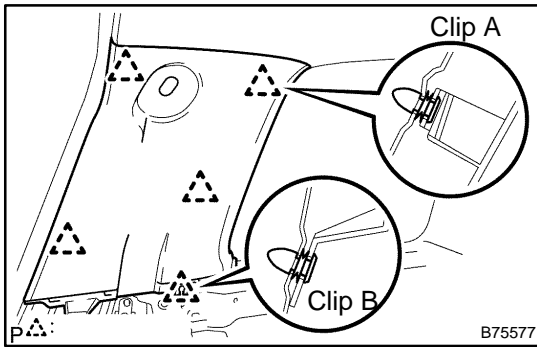
**37. REMOVE ROOF SIDE GARNISH ASSY INNER LH**

- (a) w/o Rear No. 2 seat:

- (1) Using a screwdriver, remove the 4 clips and side garnish.

HINT:

Tape the screwdriver tip before use.



(b) w/ Rear No. 2 seat:

- (1) Using a screwdriver, remove the 4 clips labeled A, clip labeled B, remove the side garnish.

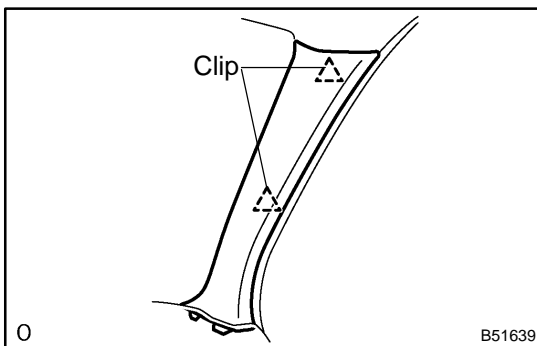
HINT:

Tape the screwdriver tip before use.

### 38. REMOVE ROOF SIDE GARNISH ASSY INNER RH

HINT:

Use the same procedures described for the LH side.



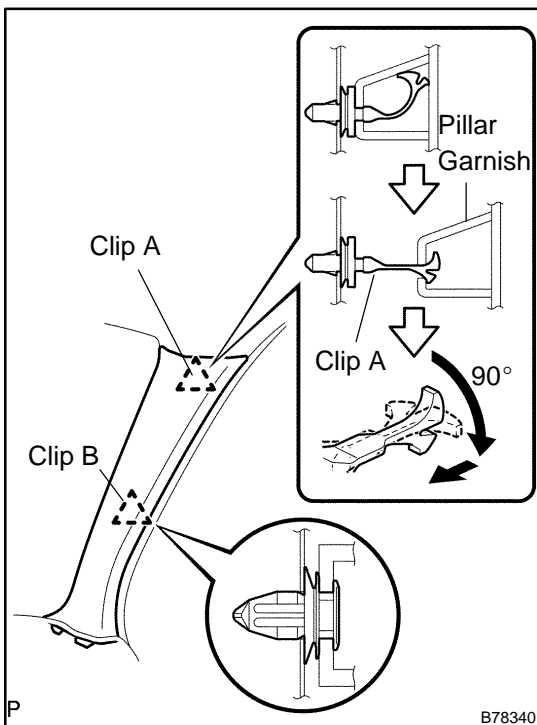
### 39. REMOVE FRONT PILLAR GARNISH LH

(a) Using a screwdriver, remove the front pillar garnish.

HINT:

Tape the screwdriver tip before use.

- (b) Pull the garnish upward and remove it from the instrument panel.



(c) w/ Curtain shield airbag:

- (1) Using a screwdriver, disengage the clips clip labeled A and clip labeled B.

HINT:

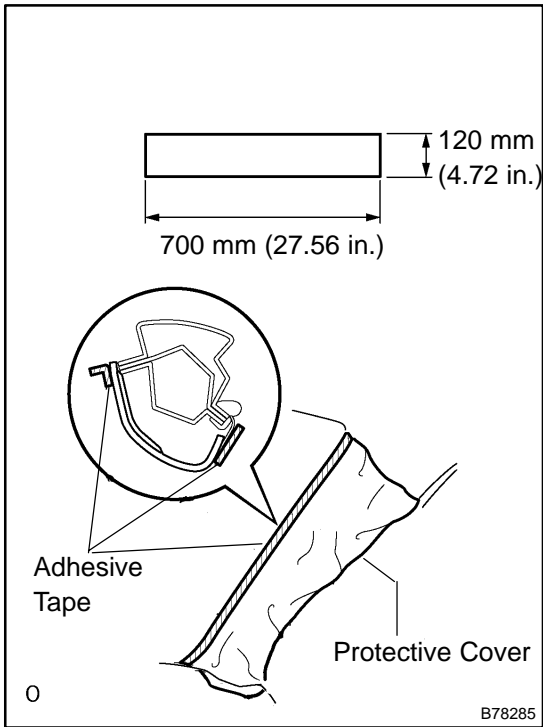
Tape the screwdriver tip before use.

(d) Remove the pillar garnish.

- (1) Pull the pillar garnish until the clip marked A in the illustration stretches.
- (2) Turn the clip marked A in the illustration 90 degrees and remove the pillar garnish.

HINT:

Use the same procedures described for the LH side.



- (e) Protect the curtain shield airbag LH.
- (1) Cover the airbag with cloth or a piece of nylon approximately 700 mm (27.56 in.) x 120 mm (4.72 in.) in size. Fix the ends of the cover with tape as shown in the illustration.

**NOTICE:**

**Cover the curtain shield airbag with the protective cover as soon as the front pillar garnish is removed.**

**40. REMOVE FRONT PILLAR GARNISH RH****HINT:**

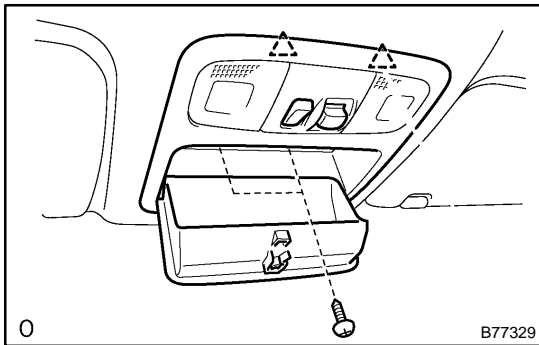
Use the same procedures described for the LH side.

**41. REMOVE LH VISOR ASSY**

- (a) Remove the 2 screws and visor.

**42. REMOVE RH VISOR ASSY**

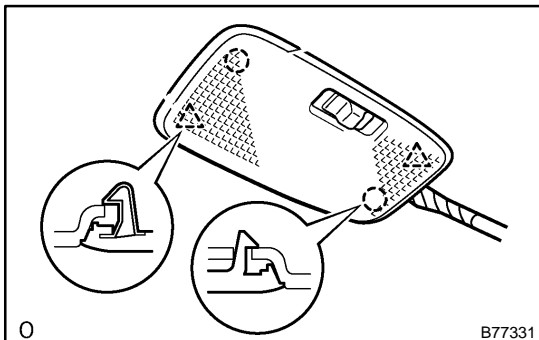
- (a) Remove the 2 screws and visor.

**43. REMOVE ROOF CONSOLE BOX ASSY**

- (a) Remove the 2 screws.
- (b) Using a screwdriver, remove the 2 clips.

**HINT:**

Tape the screwdriver tip before use.

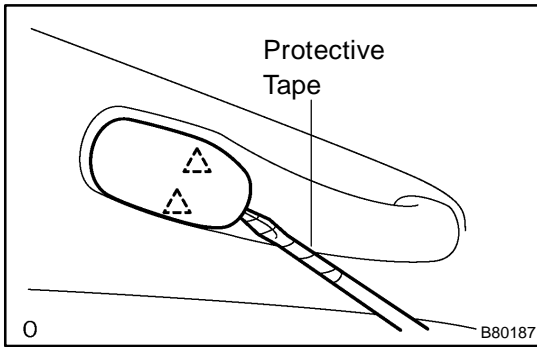
**44. REMOVE ROOM LAMP ASSY NO.1**

- (a) Using a screwdriver, disengage the 2 claws and remove the 2 clips and lamp.

**HINT:**

Tape the screwdriver tip before use.

**45. REMOVE ROOM LAMP ASSY NO.2**

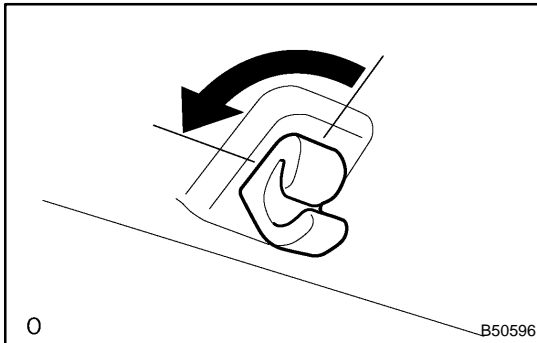
**46. REMOVE ASSIST GRIP SUB-ASSY**

(a) Using a screwdriver, remove the assist grip plug.

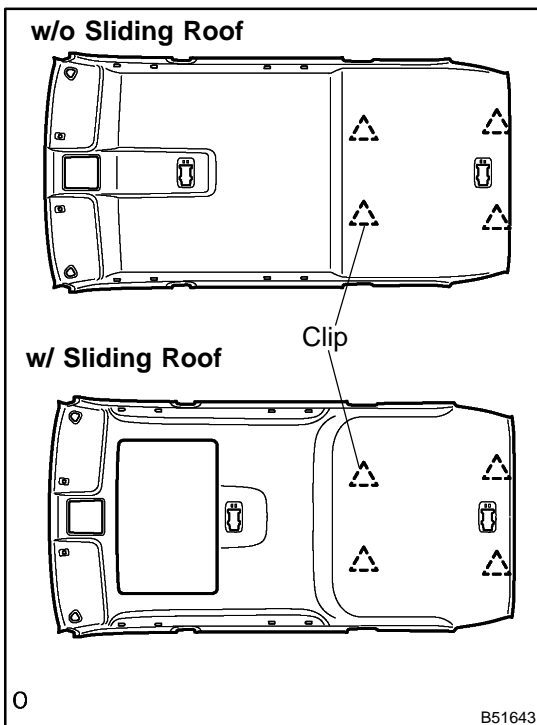
HINT:

Tape the screwdriver tip before use.

(b) Remove the 2 screws and assist grip.

**47. REMOVE VISOR HOLDER**

(a) Remove the holder of the sun visor by turning it to the left.

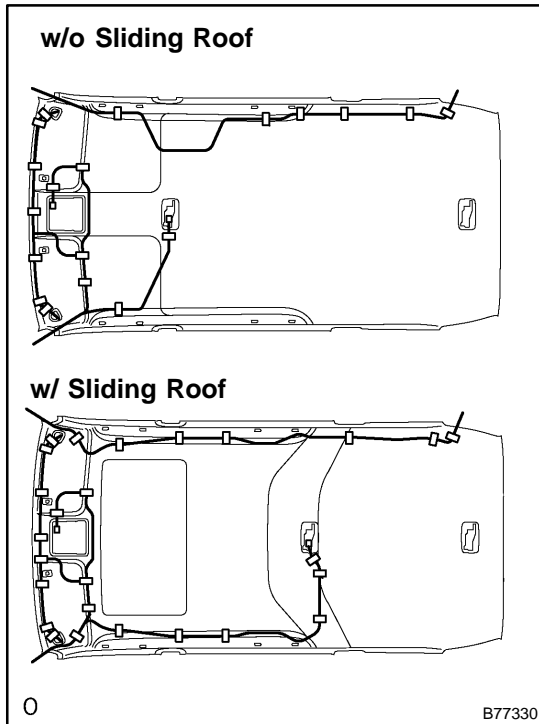
**48. REMOVE SUN ROOF OPENING TRIM MOULDING****49. REMOVE ROOF HEADLINING ASSY**

(a) Using a clip remover, remove the 4 clips and roof headlining.

(b) Remove the headlining from the back door.

**50. REMOVE ROOF SILENCER PAD NO.4****51. REMOVE ROOF SILENCER PAD NO.1****52. REMOVE ROOF SILENCER PAD NO.5****53. REMOVE ROOF SILENCER PAD NO.2 (W/O SLIDING ROOF)**



**54. INSTALL ROOF HEADLINING ASSY**

- (a) Align the markings, and then install the wire harness with tape.

**NOTICE:**

**Attach the roof wire harness securely.**

- (b) Install the roof headlining with the 4 clips.

**55. INSTALL QUARTER PILLAR GARNISH LH**

- (a) Install the rear No. 2 seat outer belt shoulder anchor with the bolt.

**Torque: 42.0 N·m (420 kgf·cm, 31 ft·lbf)**

**56. INSTALL QUARTER PILLAR GARNISH RH****HINT:**

Use the same procedures described for the LH side.

**57. INSTALL DECK TRIM SIDE PANEL ASSY LH**

- (a) Install the rear seat outer belt floor anchor with the bolt.

**Torque: 42.0 N·m (420 kgf·cm, 31 ft·lbf)**

**58. INSTALL DECK TRIM SIDE PANEL ASSY RH****HINT:**

Use the same procedures described for the LH side.

**59. INSTALL CENTER PILLAR GARNISH LH**

- (a) Install the front seat outer belt shoulder anchor with the bolt.

**Torque: 42.0 N·m (420 kgf·cm, 31 ft·lbf)**

**60. INSTALL CENTER PILLAR GARNISH RH****HINT:**

Use the same procedures described for the LH side.