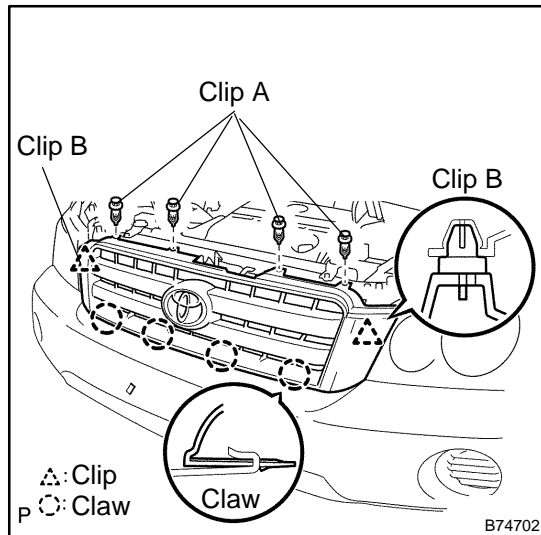


## REPLACEMENT

### HINT:

- The installation procedures are the removal procedures in reverse order. However, only installation procedures requiring additional information are included.
- A bolt without a torque specification is shown in the standard bolt chart (see page 03-2).

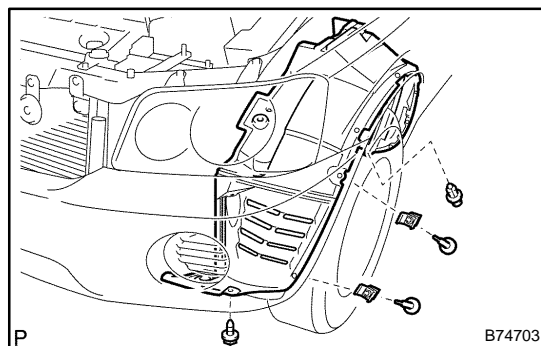


### 1. REMOVE RADIATOR GRILLE

- Using a screwdriver, disengage the 4 claws and remove the 4 clips labeled A, 2 clips labeled B and grille.

### HINT:

Tape the screwdriver tip before use.



### 2. REMOVE FRONT FENDER SPLASH SHIELD SUB-ASSY LH

- Remove the screw and 3 clips.
- Partially remove the fender liner.

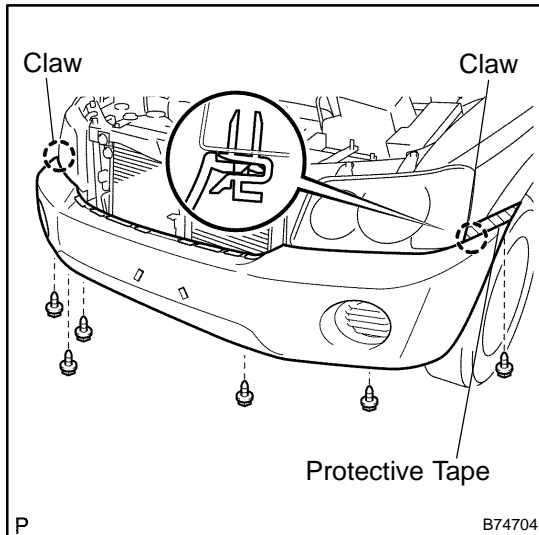
### HINT:

It is not necessary to fully remove the fender liner completely. Partially remove it so that the bumper cover can be removed in step (4).

### 3. REMOVE FRONT FENDER SPLASH SHIELD SUB-ASSY RH

### HINT:

Use the same procedure described for the LH side.



#### 4. REMOVE FRONT BUMPER COVER

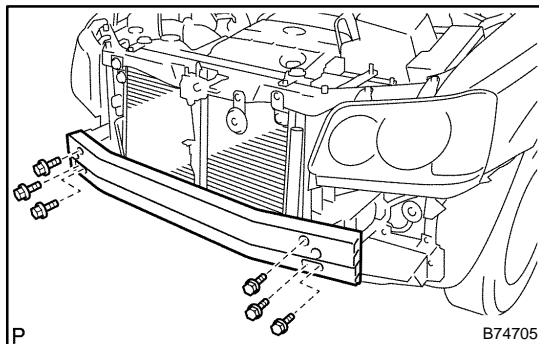
- (a) Put protective tape under the front fender.
- (b) Remove the 6 screws.
- (c) Using a screwdriver, disengage the 2 claws and remove the bumper cover.

#### HINT:

Tape the screwdriver tip before use.

- (d) w/ Fog lamp:  
Disconnect the 2 connectors.

#### 5. REMOVE FRONT BUMPER ENERGY ABSORBER



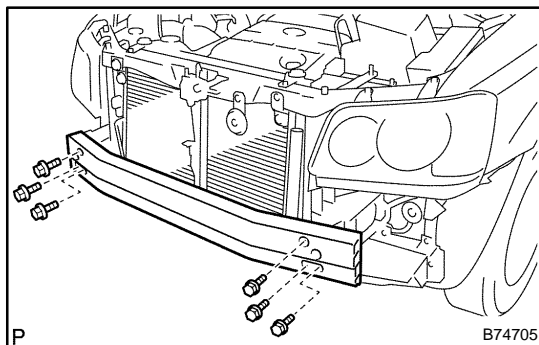
#### 6. REMOVE FRONT BUMPER REINFORCEMENT

- (a) Remove the 6 bolts and reinforcement.

#### 7. REMOVE FOG LAMP ASSY LH (W/ FOG LAMP)

#### 8. REMOVE FOG LAMP ASSY RH (W/ FOG LAMP)

#### 9. REMOVE FRONT BUMPER HOLE COVER (W/O FOG LAMP)



#### 10. INSTALL FRONT BUMPER REINFORCEMENT

- (a) Install the reinforcement with the 6 bolts.  
**Torque: 77 N·m (780 kgf·cm, 57 ft·lbf)**

#### 11. INSTALL FRONT BUMPER COVER

- (a) Install the bumper cover with the 6 screws.  
**Torque: 5.5 N·m (55 kgf·cm, 49 in·lbf)**